

# LCN | Remote Controls

# LCN-RR

## Infrared receiver with lens

The LCN-RR is an infrared remote control receiver for the LCN system and can be connected to all the intelligent LCN bus modules: LCN-UPP LCN-UPU, LCN-UMR, LCN-SH, LCN-HU or LCN-LD. The LCN-RR receives up to 48 commands, 1,000 access codes and 16 million key codes.

### Application fields

The LCN-RR is a remote control receiver for the LCN system. Due to its size it can be integrated into the switch program as well as into the lights. Additionally, it provides comfortable access control with up to 16 million key codes.

### Hardware

- infrared sensor
- Flat cable with plug for the I-Port connection to the intelligent bus module



#### Note:

The LCN-RR's supply cable can be extended up to 50 meters via the LCN-IV and can be connected together with the LCN-PMI, LCN-B3I etc. The installation location has crucial influence on the reception range. When used outside, the receiver is to be shielded from daylight as this otherwise affects the range. For more detailed information please refer to the installation guide.

# LCN-RR

Infrared receiver with lens

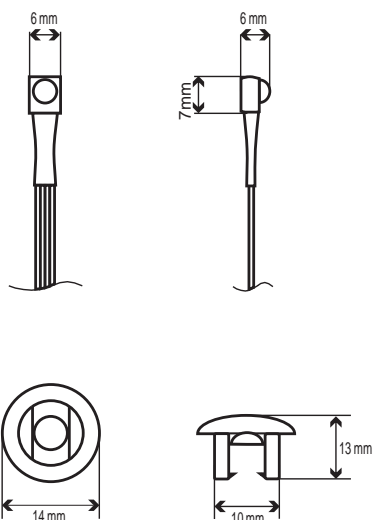
- Receives up to 48 commands, 1000 access codes and 16 million key codes
- For LCN-RT remote controls
- With I-Port connection

### Technical Data

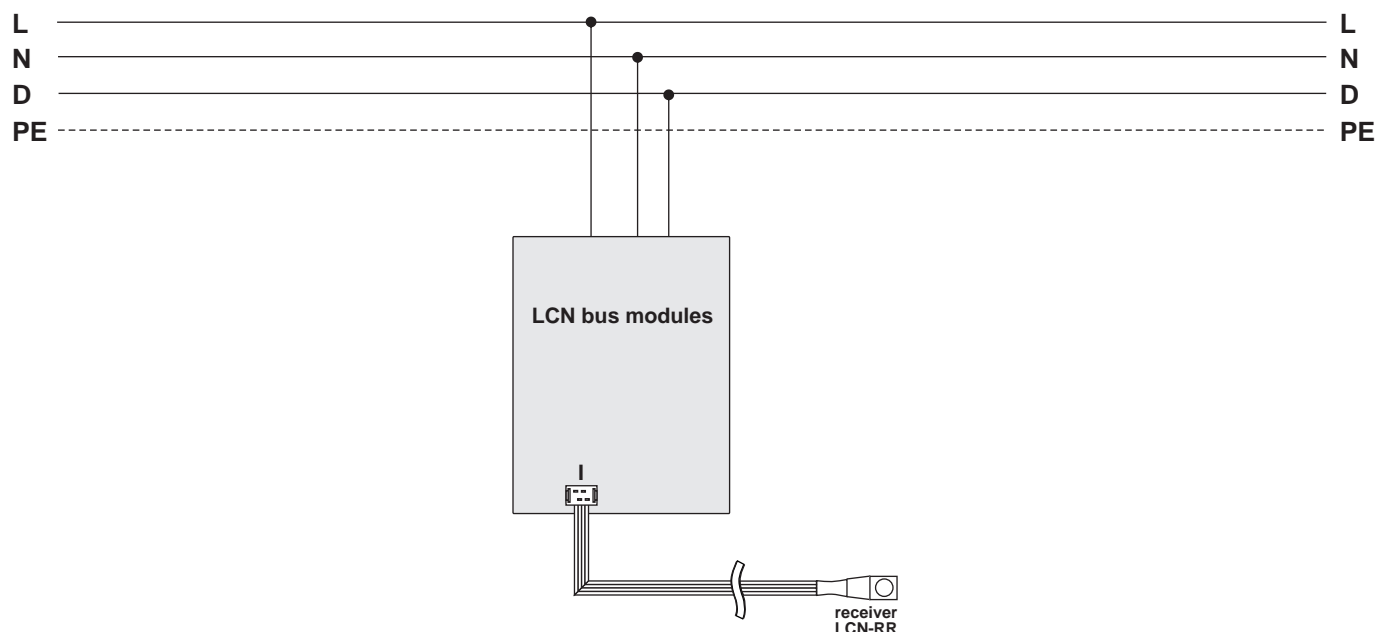
Operating frequency:	40 kHz
<b>General details:</b>	
Operating temperature:	-20 to 60 °C
Humidity:	max. 80% rel., non condensing
Environmental conditions:	stationary installation
Degree of protection::	IP 20

### Dimensions:

Diode (W x H x D)	6 x 6 x 7 mm
Supply Cable:	300 mm
Dimensions Fitted Lens	14 x 10 mm
Assembly:	behind a switch cover/panel, behind a 4 mm Ø hole or with the installation casing



### Circuit diagram



# LCN-RT

## IR transmitter with four keys

The LCN-RT is a miniaturized infrared (IR) hand-held transmitter. It offers four very robust membrane keys with acoustic signalling of activation. Each key sends the commands Short, Hold and Release, which means that up to twelve commands can be used per key level. At the user's request, up to four key levels can be chosen resulting in 48 commands. The LCN-RT additionally offers three different set-up options: privileged control, locking systems and access control systems. In doing so, a code entered by the user is transmitted to the receiver along with their serial number.

### Application fields

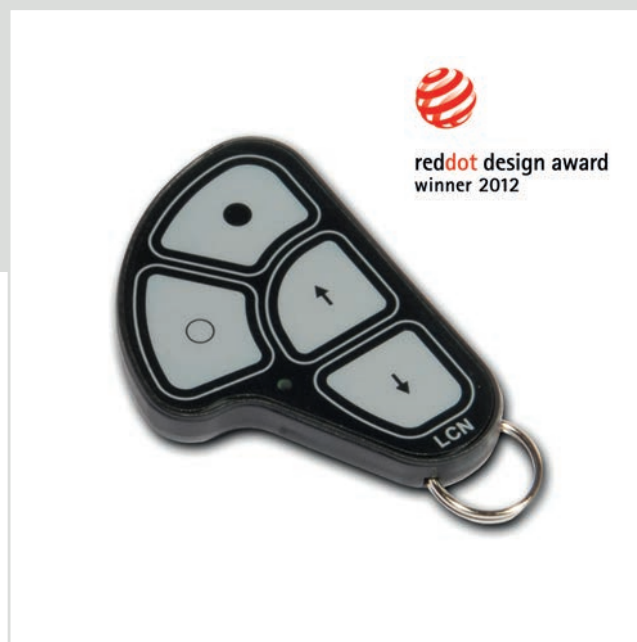
Due to its small size the LCN-RT is suitable for putting on a keyring or belt. In this way it becomes part of the daily routine as a substitute for conventional switch panels. Using the LCN-RR receiver, all of the LCN modules on the bus system can be controlled with all of their functions, including default values for air-conditioning control etc. In addition to this, locking systems can be operated with the remote control transmitter and/or access control with personal identification can also be implemented.

### Hardware

- Four keys
- Four key levels
- Acoustic signalling

#### Note:

Any amount of transmitter/receiver pairs can be independently operated in the same room. Also available in a left handed version. Please specify when ordering.



### Operating programs:

Transfers 48 Bit information, four times as much as conventional hand transmitters. Each key recognises the commands, Short, Hold and Release. It supports four key fields, so that up to 16 keys are available to the user. With each operation it sends a code which can be programmed by the user. All of the bus modules can evaluate the code and allow or refuse the request. Additionally, it sends a unique and permanently fixed serial number. This number can either be evaluated in the LCN modules for individual allotting of keys and/or can be forwarded to the PC for access control with personal identification. A checksum is generated and sent with the transmission. It enables the receiver to recognise transmission interference and prevents false operation, an innovation in IR remote control technology.

# LCN-RT

IR transmitter with 4 keys

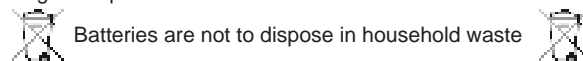
- Range of up to 10 meters
- Four very robust foil keys
- Acoustic feedback when key is pressed
- For use with the LCN-RR
- Also available as left-handed version: LCN-RTL

### Technical Data

Range:	at least 10 m
Transmitting cone:	20° symmetric rotation
Keys:	4 x 4 key levels
Code:	four digits - user defined additionally serial number
Battery:	Lithium cell CR2032, lasts about 2 years

### General details:

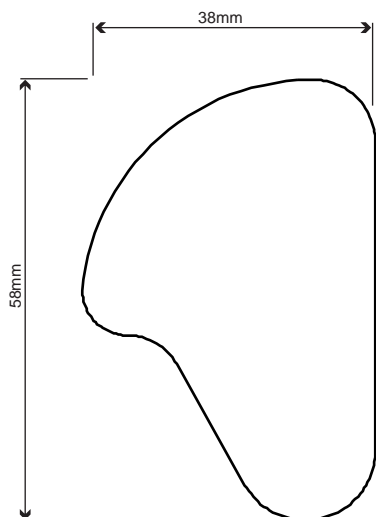
Operating temperature:	-10 to 40 °C
Humidity:	max. 80% rel., non condensing
Degree of protection::	IP 20



Batteries are not to dispose in household waste

### Dimensions:

LCN-RT (H x W x D) 58 x 38 x 9 mm  
 Assembly: on your keyring



### Changing the key levels:

The four keys on the LCN-RT can be used in four different levels, so a total 16 keys are available.

- Level 1 (keys 1-4): Standard level
- Level 2 (keys 5-8): Press keys 2 and 4 simultaneously
- Level 3 (keys 9-12): Press keys 3 and 4 simultaneously
- Level 4 (keys 13-16): Press keys 1 and 3 simultaneously

A long beep confirms the successful level change. The transmitter signals are louder when used by key level 2, 3 or 4. Four seconds after pressing the last key it will return automatically to the standard level. This will be alerted by a short beep.

### Circuit diagram

